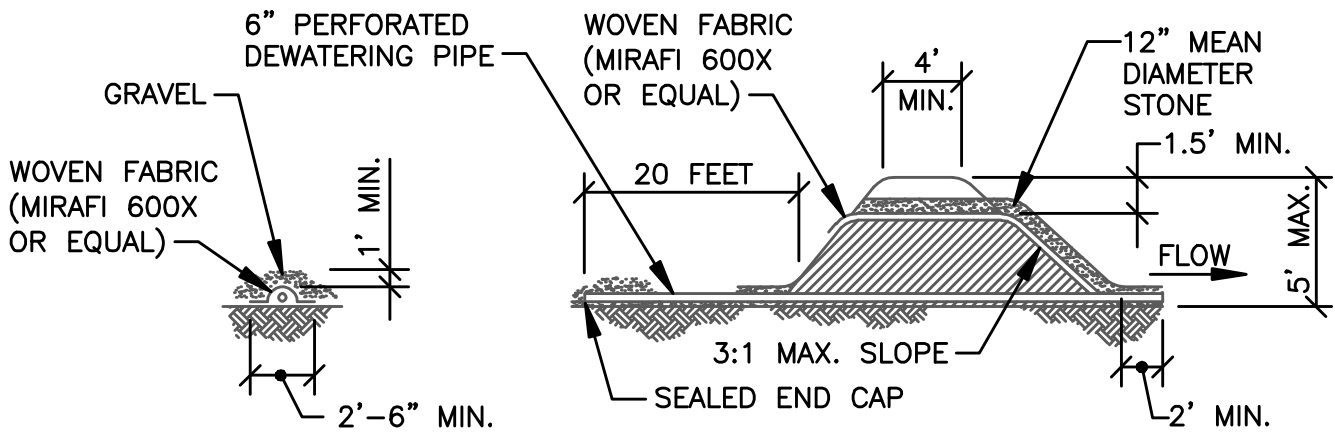


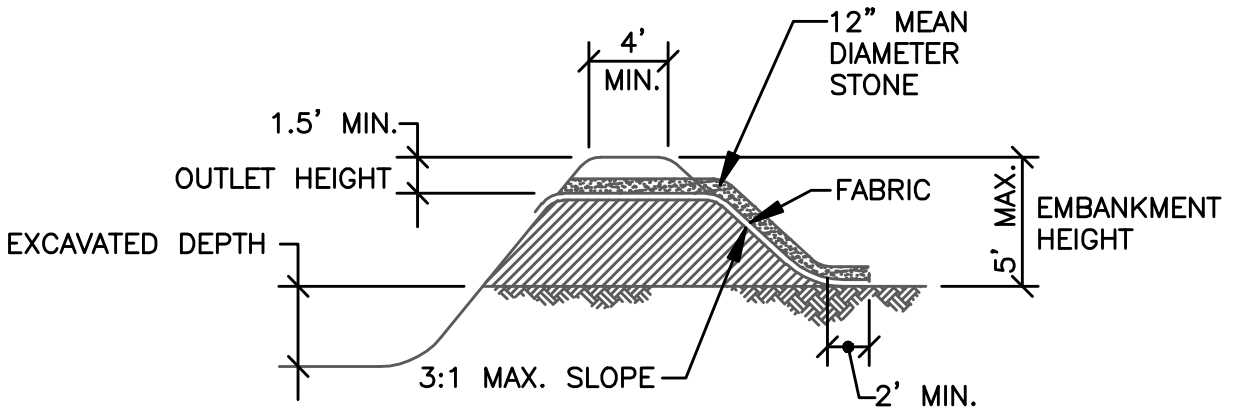
TRIBUTARY AREA (ACRES)	LENGTH OF SPILLWAY WEIR L_w (ft)
0-1.0	4
1.01-2.0	6
2.01-3.0	8
3.01-4.0	10
4.01-5.0	12

PLAN VIEW



DEWATERING PIPE

OUTLET PROFILE



ALTERNATE OUTLET PROFILE

Approved	9/03/2008
Revisions	Date



SEDIMENT TRAP

ESC-12a