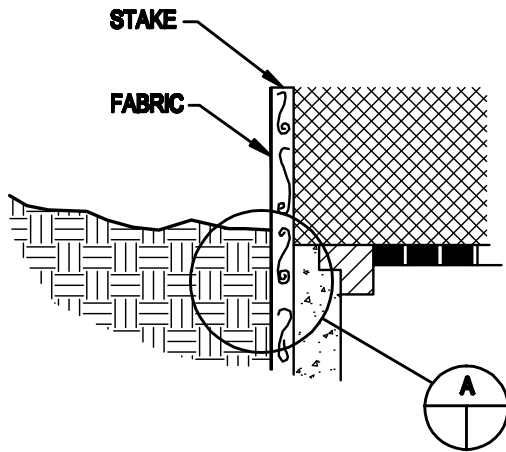
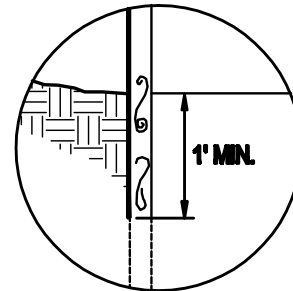


**PERSPECTIVE VIEWS
NOT TO SCALE**



**ELEVATION OF STAKE AND
FABRIC ORIENTATION**



**DETAIL A
NOT TO SCALE**

Approved	9/03/2008
Date	
Revisions	



**DROP INLET PROTECTION
(SILT FENCE)**

ESC-14a