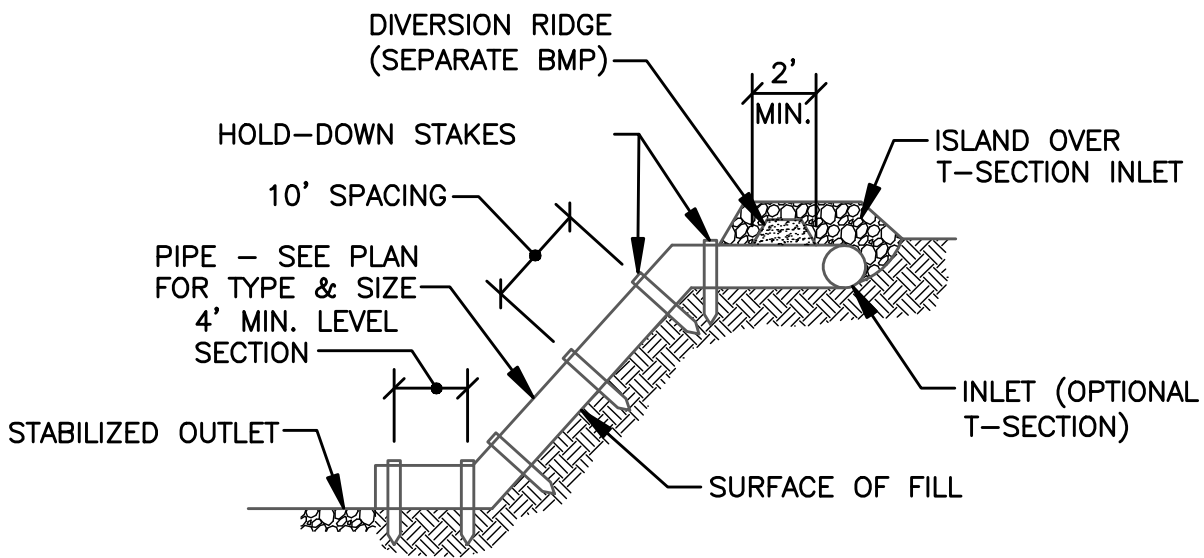
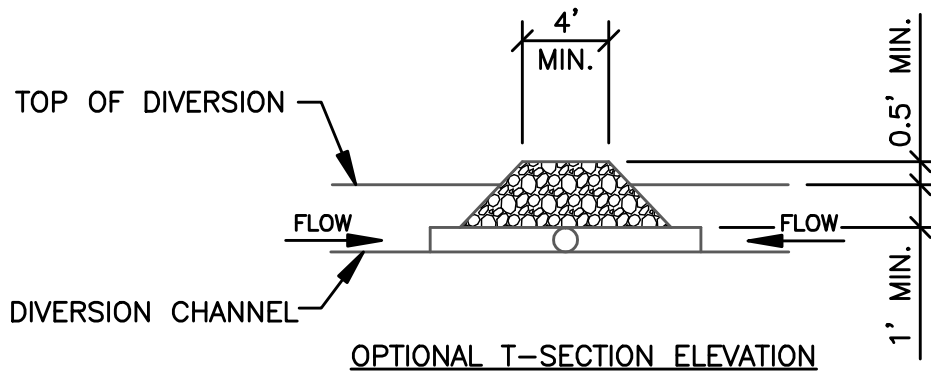


PERSPECTIVE



PROFILE



OPTIONAL T-SECTION ELEVATION

Approved	9/03/2008
Revisions	Date



SLOPE DRAINS

ESC-7