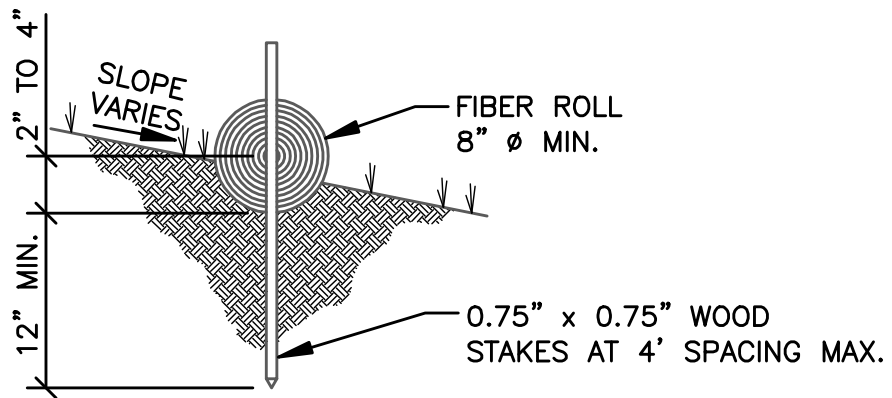


TYPICAL FIBER ROLL INSTALLATION



ENTRENCHMENT DETAIL

Approved	9/03/2008
Revisions	Date



**FIBER ROLLS/WATTLES**

**ESC-8**