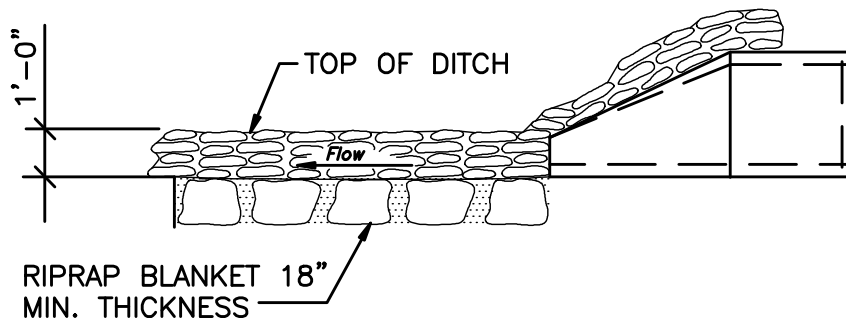


PLAN



ELEVATION

| | |
|-----------|-----------|
| Approved | 9/03/2008 |
| Date | |
| Revisions | |
| | |
| | |



OUTLET PROTECTION

ESC-2