

County of Callaway - Fulton, Missouri
Bid #15 – 2024 Bridge Guardrail Materials

December 9, 2024

Now on this day the Callaway County Commission is accepting sealed bids on MODOT approved bridge guardrail materials as shown in the attached bid forms. Please submit the sealed bids on the attached bid forms. This bid will be a lump sum bid for the bid items and quantities as shown on the attached bid form. Please contact David Thomas, PE the Callaway County Road & Bridge Department Administrator at Email: dthomas@callawaycount.org, Off. Ph. (573) 642-0740 with any questions.

All bids must be received no later than Monday, January 6, 2025, at 11:00 a.m., at which time they will be opened.

The Callaway County Commission reserves the right to accept or reject any and/or all bids.

County of Callaway - Fulton, Missouri

All **mailed** or **carrier delivered** sealed bids, subject to the Instructions and General Conditions of Bidding listed below and any special conditions set forth herein, will be received at the Office of the County Commission, Callaway County Courthouse, 10 East Fifth Street, Fulton, Missouri 65251, until 4:00 p.m. on Friday, January 3, 2025. **Hand delivered** sealed bids will be received in the office of the County Commission until the scheduled time of opening. The sealed bids shall be for furnishing the Callaway County Road and Bridge Department with the material and / or list of materials, supplies, equipment, or services shown on the attached sheet(s). Proposals shall include all charges for delivery, packing, etc., to the Callaway County Road and Bridge Department Office, 5901 County Road 302, Fulton, Missouri 65251.

The bid is scheduled to be opened at 11:00 a.m. on Monday, January 6, 2025, in the County Commission Chambers, County Courthouse, 10 East Fifth Street, Fulton, Missouri 65251.

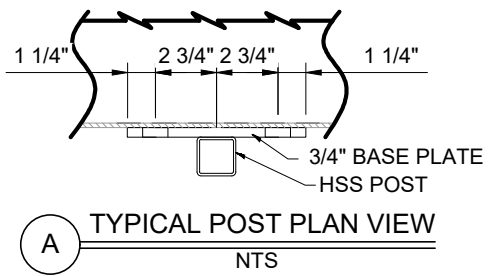
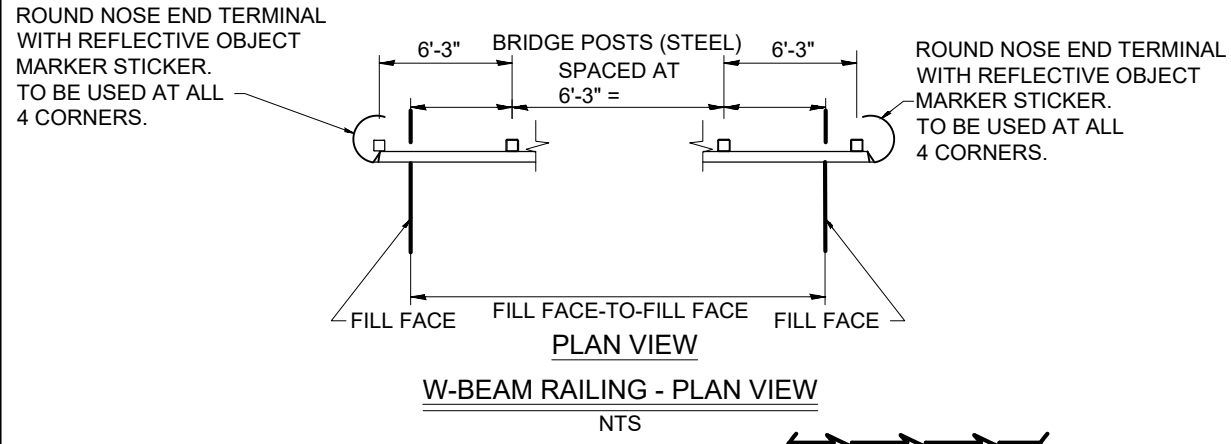
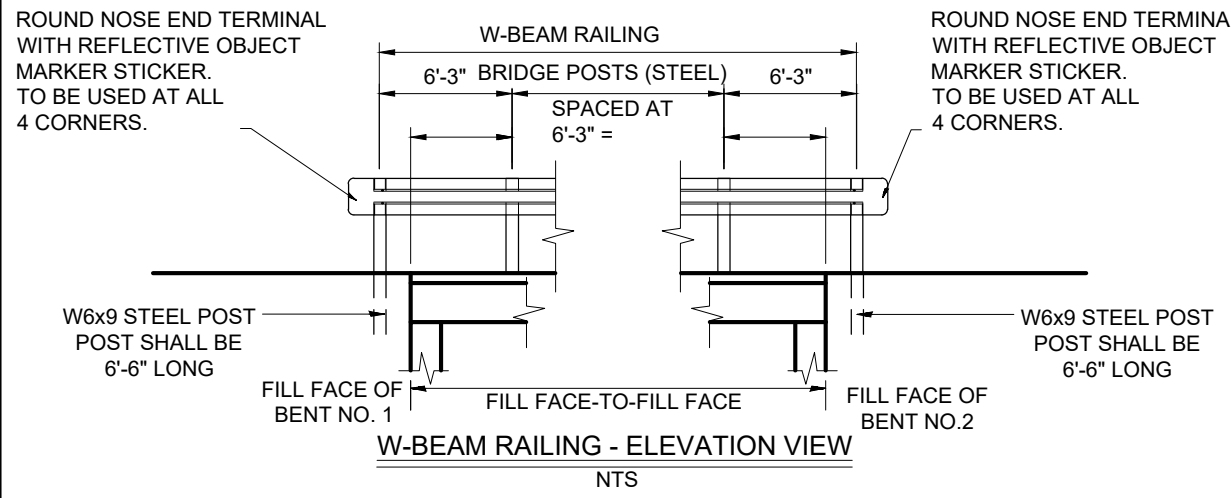
INSTRUCTIONS AND GENERAL CONDITIONS OF BIDDING

1. The Callaway County Commission has the right to accept or reject any part or parts of all bids, to waive technicalities, and to accept the offer the County Commission considers the most advantageous to the County.
2. Bidders must give the unit price, extended totals, and sign the bid. Identify your bid by number, article, and opening date on the outside of the envelope the bid is sent in.
3. Identify the item you will furnish by brand or manufacturer's name and catalog numbers. Furnish specifications and descriptive literature.
4. When products or materials of any particular producer or manufacturer are mentioned in our specifications, such products or materials are intended to be descriptive of type or quality and not restricted to those mentioned.
5. Do not include Federal Excise Tax or Sales Taxes in bid process, as the County is exempted from them by law.
6. Delivery date/time frame must be stated on the bid sheet.
7. The County Commission reserves the right to cancel all or any part of orders if delivery is not made or work is not started as guaranteed. In case of delay, the Vendor or Contractor must notify the County Clerk, or in the case of a Road and Bridge Bid, the County Engineer or County Commission.
8. In case of default by the Bidder or Contractor, the County of Callaway will procure the articles or services from other sources and hold the Bidder or Contractor responsible for any excess cost occasioned thereby.
9. Failure to deliver as guaranteed may disqualify Bidder from future bidding.
10. Prices must be stated in units of quantity specified and must be firm. Bids qualified by escalator clauses may not be considered unless specified in the bid specifications.
11. No bid transmitted by fax machine or email will be accepted.
12. Failure to comply with any of the above Instructions and General Conditions of Bidding may disqualify the bidder.
13. The County of Callaway, Missouri expressly denies responsibility for, or ownership of, any item purchased until same is delivered to the County and is accepted by the County Commission.
14. Unless otherwise noted, bid prices shall be good for one year after the award date.

County of Callaway - Fulton, Missouri
Bid #15 – 2024 Bridge Guardrail Materials

General Specifications:

1. The bridge guard rail materials provided shall comply with the detail sheets provided with this bid, the pertinent drawings from the State of Missouri Standard Plans for Highway Construction, and the pertinent sections of the Standard Specifications for Highway Construction dated 2024.
2. The bridge guard rail materials provided shall include all hardware and accessories as required for assembly according to the State of Missouri Standard Plans for Highway Construction and the pertinent sections of the Standard Specifications for Highway Construction dated 2024.
3. Billing Codes that the vendor normally uses for billing for the designated materials shall be coordinated with the bid item names and numbers.
4. By submission of this bid, the vendor certifies that they comply with Section 34.353 and, if applicable, Section 34.359 (“Missouri Domestic Products Procurement Act”) of the Revised Statutes of Missouri, 1994.



GENERAL NOTES

ALL BOLTS, NUTS, WASHERS, POSTS, AND PLATES SHALL BE CONSIDERED INCIDENTAL TO THE RAILING PAY ITEMS.

ALL BOLTS, FASTENERS, ANCHOR BOLTS, NUTS, WASHERS, POSTS, AND PLATES SHALL BE GALVANIZED AFTER FABRICATION.

FABRICATION OF STRUCTURAL STEEL SHALL BE IN ACCORDANCE WITH SECTION 712 OF THE STANDARD SPECIFICATIONS FOR PROTECTIVE COATING AND MATERIAL REQUIREMENT OF STEEL RAILING, AND W6x9 POSTS, SEE SECTION 1040 OF THE STANDARD SPECIFICATIONS.

RAIL POSTS ON BRIDGE SHALL BE HSS 3"x3"x1/4", AASHTO M270 GR 36 OR ASTM A36.

RAIL POSTS NOT ON BRIDGE SHALL BE W6x9, 6'-0" LONG, GALVANIZED.

STEEL BASE PLATES AND MISC. BRACKETS SHALL BE AASHTO M270 GR 36 OR ASTM A36, GALVANIZED.

AT EXPANSION SLOTS IN BEAM RAILS, TIGHTEN BOLTS, BACK OFF ONE-HALF TURN AND BURR THREADS.

5/8"x1 1/4" BUTTON HEAD OVAL SHOULDER BOLTS WITH HEX NUTS AT ALL SLOTS (THICKNESS OF HEX. NUTS = 3/8").

AT BEAM CONNECTION TO POST ON WINGS, TIGHTEN BOLTS, BACK OFF ON-HALF TURN AND BURR THREADS

MINIMUM LENGTH OF BEAM SECTIONS IS EQUAL TO ONE POST SPACE. WASHERS SHALL BE USED AT ALL POST BOLTS (BETWEEN BOLT HEAD AND BEAM) THEY SHALL BE RECTANGULAR IN SHAPE (3"x1 3/4"x3/16" MIN.) AND FLAT, OR WHEN NECESSARY OF SUCH DESIGN TO FIT THE CONTOUR OF THE BEAM. WASHERS SHALL HAVE 1/16"x1" SLOT.

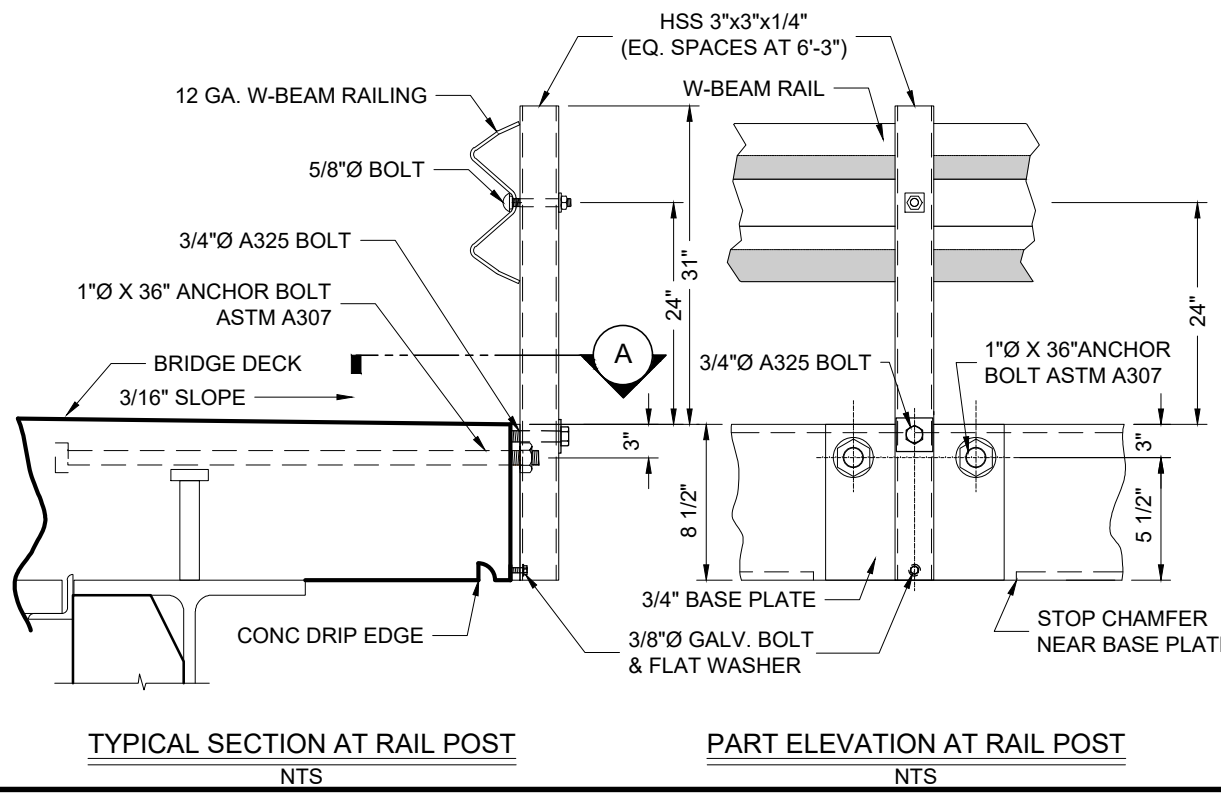
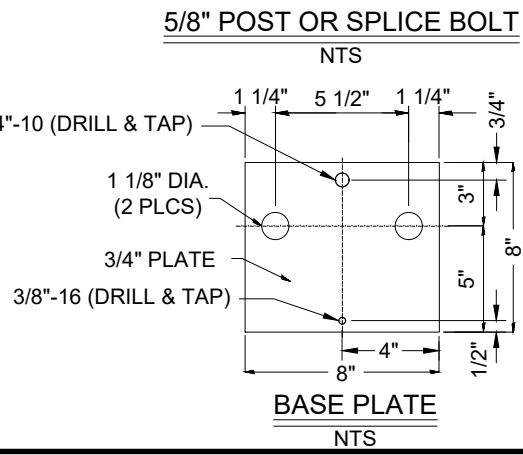
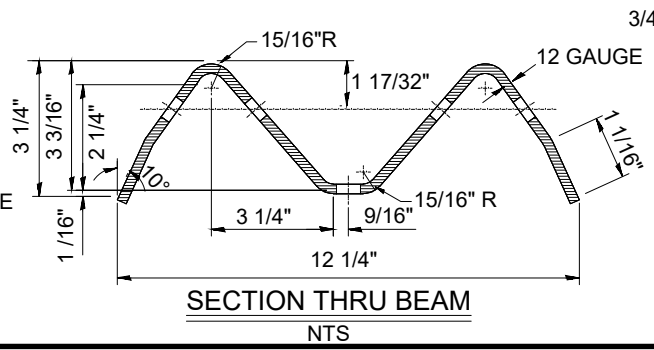
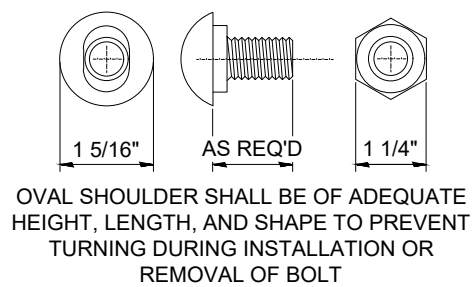
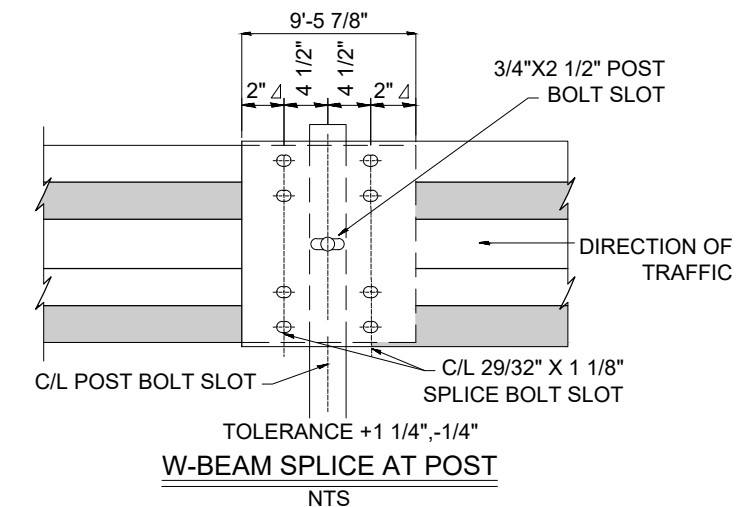
RAIL POSTS SHALL BE SET PERPENDICULAR TO THE ROADWAY PROFILE GRADE AND VERTICALLY IN CROSS SECTION

ALL LAP SPLICES SHALL BE MADE IN THE DIRECTION OF TRAFFIC

NOTE: THE CONTRACTOR SHALL REVIEW BOTH THE RAILING LAYOUT AND THE ALIGNMENT OF THE ROADWAY PRIOR TO FURNISHING RAILING. IF THE PLAN AND PROFILE OF THE ROADWAY PLANS SHOW RAILING POSITIONED ADJACENT TO CURVED SECTIONS OF ROADWAY, THEN IT MAY BE NECESSARY TO PROVIDE CURVED SECTIONS OF RAILING. THE CONTRACTOR SHALL INCLUDE THE COST OF FURNISHING AND INSTALLING ANY CURVED RAIL SECTIONS IN THEIR BID. NO ADDITIONAL COMPENSATION WILL BE MADE TO THE CONTRACTOR FOR CURVED RAIL, EVEN IF STANDARDIZED, STRAIGHT, SECTIONS ARE SHOWN IN THE PLANS. IF CLARIFICATION IS NEEDED BY THE CONTRACTOR/FABRICATOR THEN IT SHALL BE REQUESTED AND PROVIDED AT THE SHOP DRAWING STAGE OF THE PROJECT.

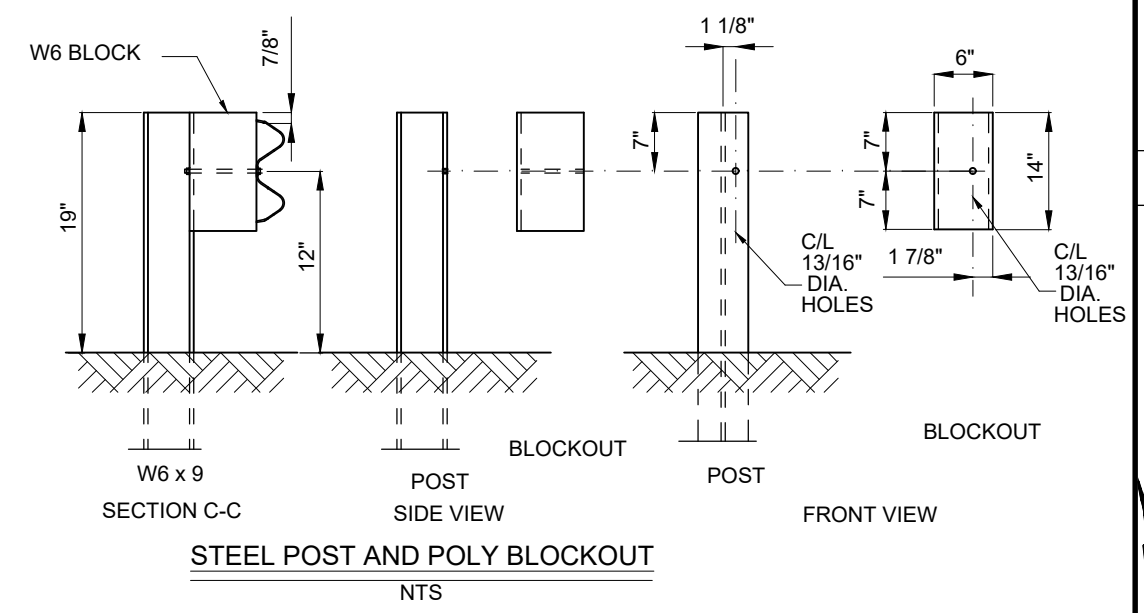
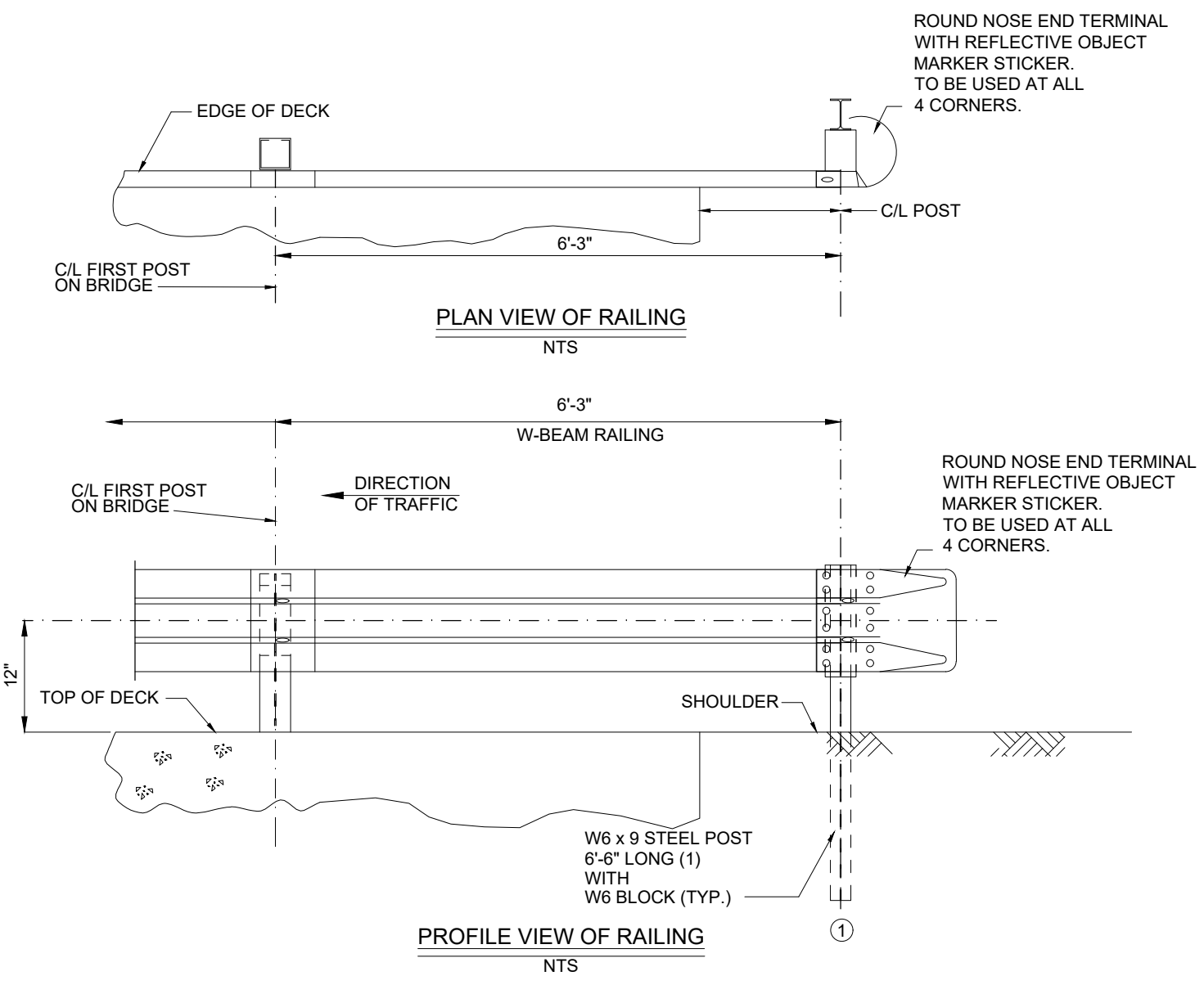
AT LEAST TWO WEEKS PRIOR TO INSTALLATION, THE CONTRACTOR SHALL PROVIDE SHOP DRAWINGS AND SUBMITTALS ON RAILING INCLUDING:

- PLAN AND PROFILE VIEWS OF THE RAILING DETAILING THE LOCATION OF COMPONENTS AND ANY RADIUS PIECES THE CONTRACTOR INTENDS TO INSTALL.
- SUBMITTALS, INCLUDING DIMENSIONAL SKETCHES OF INDIVIDUALLY FABRICATED COMPONENTS, RAILING, TRANSITIONS, END TERMINALS, ECT.
- TECHNICAL DATA AND INSTALLATION INSTRUCTIONS ON CRASHWORTHY END TERMINALS THE CONTRACTOR INTENDS TO INSTALL.
- MILL CERTIFICATIONS FROM ORIGINAL PRODUCING STEEL MILLS SATISFYING BUY AMERICA REQUIREMENTS FOR ALL STEEL COMPONENTS.



**PRELIMINARY
** NOT FOR **
CONSTRUCTION**

		MISSOURI STATE CERTIFICATE OF AUTHORITY ENGINEERING #E-2014014993 SURVEYING #LS-2014015235	Appr. Date No. Description
RAILING DETAILS SHEET CALLAWAY COUNTY, MISSOURI		HOWE COMPANY, LLC 804 E. PATTON STREET, MACON, MO. 63552 OFFICE: 660-395-4693	
DATE: DEC 2024 DESIGNED BY: DRAWN BY: P. HOWE REVIEWED BY: S. HOWE APPROVED BY: S. HOWE		JOB NO. Bid #15	
SHEET 5 OF 7			



PRELIMINARY
**** NOT FOR ****
CONSTRUCTION

		MISSOURI STATE CERTIFICATE OF AUTHORITY ENGINEERING #E-2014014893 SURVEYING #LS-2014015235	
		No. Description	Date
RAILING DETAILS SHEET CALLAWAY COUNTY, MISSOURI		HOWE COMPANY, LLC 804 E. PATTON STREET, MACON, MO. 63552 OFFICE: 660-395-4693	
DATE: DEC 2024 DESIGNED BY: DRAWN BY: P. HOWE REVIEWED BY: S. HOWE APPROVED BY: S. HOWE		JOB NO. Bid #15	
6		SHEET 6 OF 7	

County of Callaway - Fulton, Missouri
Bid #15 – 2024 Bridge Guardrail Materials

**BIDDER COMPANY
NAME:**

ITEM NO.	ITEM DESCRIPTION	UNIT PRICE	UNIT QUANTITY	AMOUNT
1	W-Beam Guardrail, 12.5 foot nominal panels with attachment accessories	\$	24	\$
2	W-Beam Guardrail, 6.25 foot nominal panels with attachment accessories	\$	2	\$
3	HSS 3" x 3" x 1/4" Posts, with attachment accessories	\$	45	\$
4	HSS 6" x 3" x 1/4" Posts, with attachment accessories	\$	2	\$
5	8" x 8" x 3/4" Base Plates	\$	50	\$
6	W6 x 9 Terminal (Ground) Posts by 6'-6" long, with attachment accessories	\$	4	\$
7	Round Nose End Terminal with Reflective Object Marker Sticker, with attachment accessories	\$	4	\$
Total Bid Price				\$

NOTES:

1. See the detail sheets provided with the bid.
2. The nominal dimension for the W-Beam Guardrail sections is the total dimension between the center of the outside post where the rail is spliced, the actual guardrail section dimensions shall allow for the typical end splices as shown on the detail sheets.